

5MP Fisheye Fixed Dome Network Camera

IPC815SR-DV(S)PF14



Key Features

Optics

- Ultra wide angle lens, 360° panoramic image
- Smart IR, Up to 10 m (33ft) IR distance
- 2D/3D DNR (Digital Noise Reduction)

Compression

- Ultra265, H.264, MJPEG
- Built-in omni directional microphone (IPC815SR-DVPP14)
- Triple stream (3 panoramic view)

Network

- ONVIF Conformance

Structure

- Support PoE power supply
- Wide temperature range: -40°C to 60°C (-40°F to 140°F)
- Wide voltage range of $\pm 25\%$
- IK10
- IP66

Specifications

	IPC815SR-DVPPF14	IPC815SR-DVSPF14			
Camera					
Image sensor	1/2.8", progressive scan, 5.0 megapixel, CMOS				
Lens	1.4mm@F2.0				
DORI Distance	Lens	Detect (m)	Observe (m)	Recognize (m)	Identify (m)
	1.4mm	31.5	12.6	6.3	3.2
Angle of View	360°				
Shutter	Auto/Manual, shutter time: 1~1/100000 s				
Minimum Illumination	Colour: 0.01 Lux (F2.0, AGC ON) 0 Lux with IR				
Day/Night	IR-cut filter for day & night function				
Digital noise reduction	2D/3D DNR				
S/N	>55dB				
IR Range	UP to 10m (33ft)				
Defog	Digital Defog				
WDR	120dB				
Video					
Compression	Ultra265, H.264, MJPEG				
H.264 code profile	Baseline profile, Main Profile, High Profile				
Frame Rate	Main Stream: (2592×1944): Max.30fps; Sub Stream: (1920×1080): Max.30fps; Third Stream: D1(720 x 576): Max.30 fps				
BLC	Supported				
OSD	Up to 8 OSDs				
ROI	Up to 8 areas				
Privacy Mask	Up to 8 areas				
Motion Detection	Up to 4 areas				
General Function	Watermark, IP Address Filtering, Tampering Alarm, Alarm input, Alarm output, Access Policy, ARP Protection, RTSP Authentication, User Authentication				
Audio					
Audio Compression	G.711	N/A			
Two-way audio	Supported	N/A			
Suppression	Supported	N/A			
Sampling Rate	8 KHZ	N/A			
Storage					
Edge Storage	Micro SD, up to 256GB				
Network Storage	ANR				
Network					
Protocols	IPv4, IGMP, ICMP, ARP, TCP, UDP, DHCP, PPPoE, RTP, RTSP, RTCP, DNS, DDNS, NTP, FTP, UPnP, HTTP, HTTPS, SMTP, 802.1x, SNMP, QoS				
Compatible Integration	ONVIF (Profile S, Profile G, Profile T), API				
Live View Display					
Mount Type	Support table, wall, and ceiling				

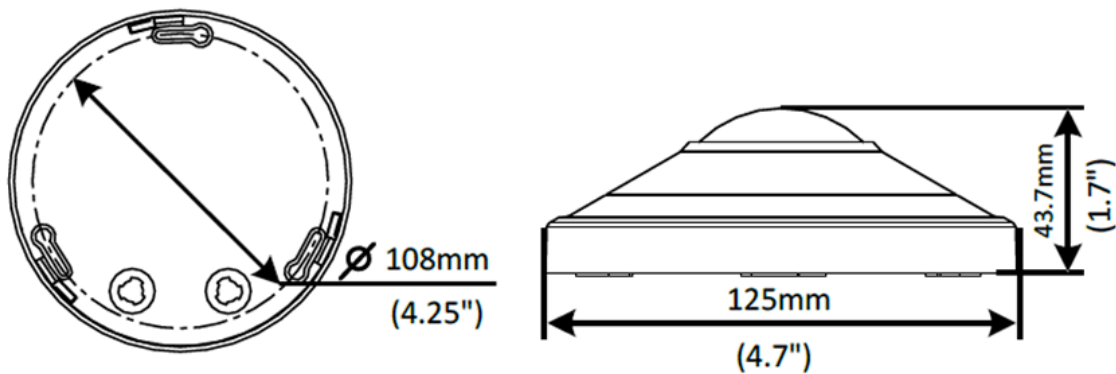
Interface

Audio I/O	Input: impedance 35 k Ω ; amplitude 2 V [p-p]	N/A
	Output: impedance 600 Ω ; amplitude 2 V [p-p]	N/A
Alarm I/O	1/1	N/A
Built-in Mic	Supported	N/A
Video Output	1 BNC, impedance 75 Ω ; amplitude 1 V [p-p]	N/A
Network	1 RJ45 10M/100M Base-TX Auto-adaptive Ethernet	

General

Power	DC12V \pm 25%,PoE (IEEE 802.3af)	
	Power consumption: Max. 8.9 W	
Dimensions ($\Phi \times H$)	Φ 125 \times 43.7 mm (Φ 4.9" \times 1.7")	
Weight	0.39kg (0.86lb)	
Working Environment	-40 $^{\circ}$ C~60 $^{\circ}$ C (-40 $^{\circ}$ F~140 $^{\circ}$ F), Humidity: \leq 95% RH	
Ingress Protection	IP66	
Vandal Resistant	IK10	
Reset Button	Supported	

Dimensions


Zhejiang Uniview Technologies Co., Ltd.

Building No.10, Wanlun Science Park, Jiangling Road 88, Binjiang District, Hangzhou, Zhejiang, China (310051)

Email: overseasbusiness@uniview.com; globalsupport@uniview.com

<http://www.uniview.com>

©2019 Zhejiang Uniview Technologies Co., Ltd. All rights reserved.

* Product specifications and availability are subject to change without notice.